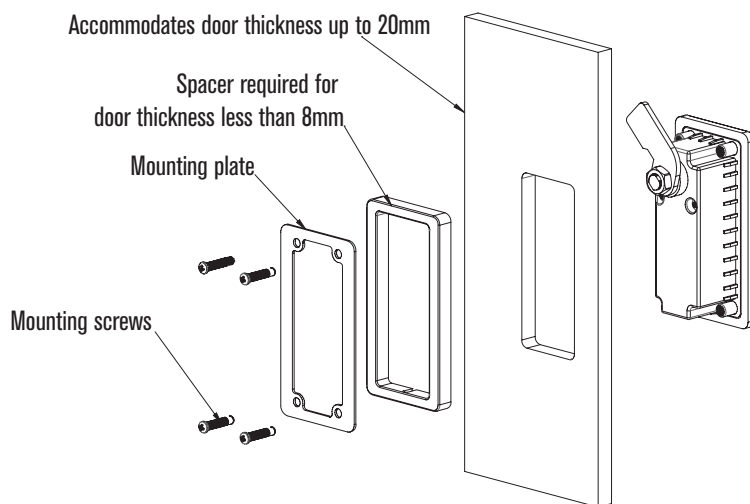
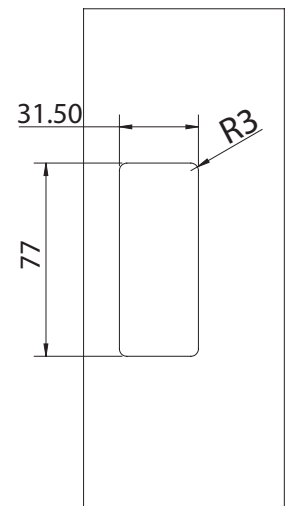


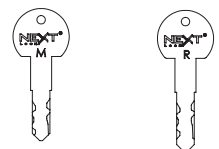
Install Guide



Through hole dimensions



Door thickness (mm)	Screw type	Spacer required
0 - 5	M3X10	✓
5 - 8	M3X14	✓
8 - 12	M3X10	
12 - 16	M3X14	
16 - 20	M3X18	



Manager key Removal key

Factory default code 0-0-0-0

Operate with a code

To Lock:

1. Close the door.
2. Make sure the knob is in the position.
3. Set any 4-digit code.
4. Turn the knob to the position.
5. Scramble the code.

To Unlock:

1. Enter your 4-digit code.
2. Turn the knob to the position.
3. Open the door.
4. Scramble the code.

Operate with the Manager Key

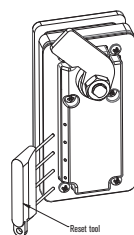
1. Insert the Manager Key.
2. Turn the knob to the position.
3. Open the door.

Note: If opened in error, use the Manager Key to turn the lock to the position. The original code will continue to operate the lock.

If the code is forgotten, follow the Reset Instructions to make the lock available for another user.

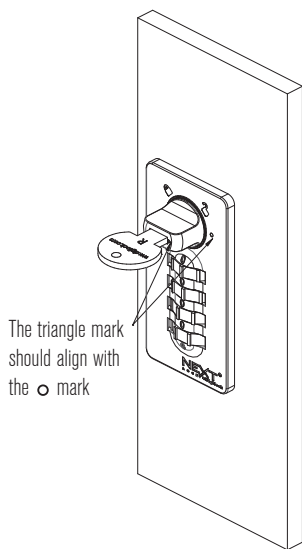
Reset Instructions

1. Insert the Manager key.
2. Turn the knob to the position.
3. Remove the Manager Key.
4. Insert the Reset Tool.
5. Push in the Reset Tool and simultaneously turn all dials until it stops.
6. The final code displayed is the current code.
7. Turn the knob to the position.

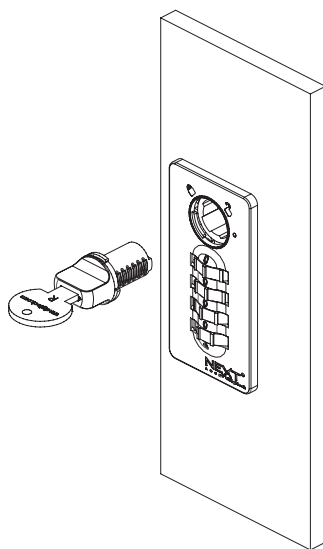


Change Core Instructions

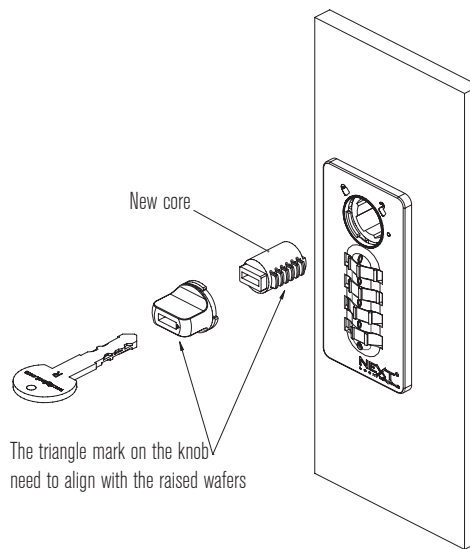
If the Manager Key is lost or stolen, contact support@digilock.com for a replacement Set (Manager Key, replacement Removal Key, and Cores).



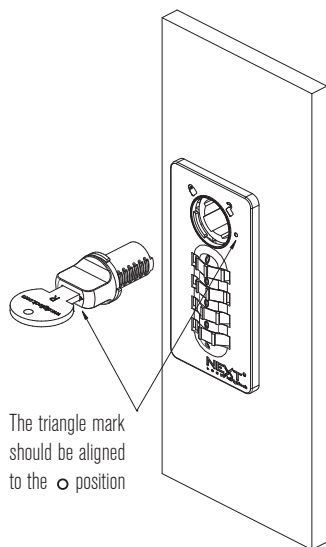
Turn the knob to ☞ position.
Insert the removal key and turn the knob to ○ position.



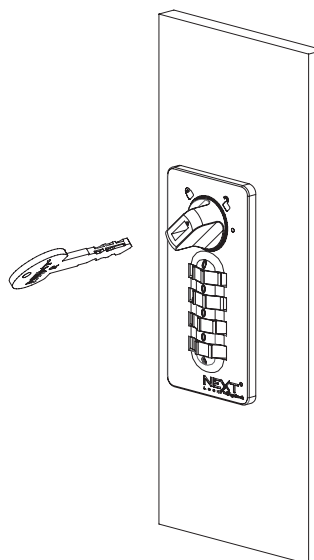
Pull the key to remove the knob and core.



Insert the replacement Removal Key into the knob and place a new core on the knob. The triangle mark on the knob should align with the raised wafers.



Insert the new core subassembly into the lock. The triangle mark on the knob should align with the ○ position.



Turn the knob to ☞ position. Remove the replacement removal key.