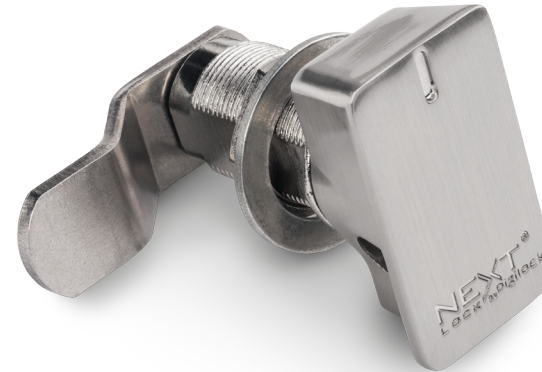
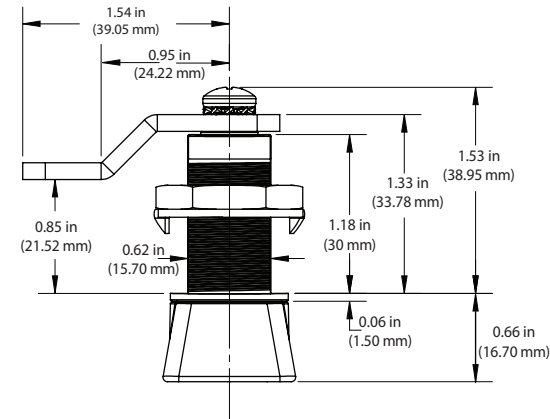
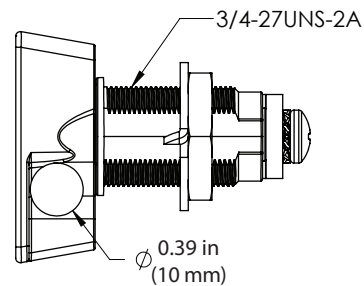
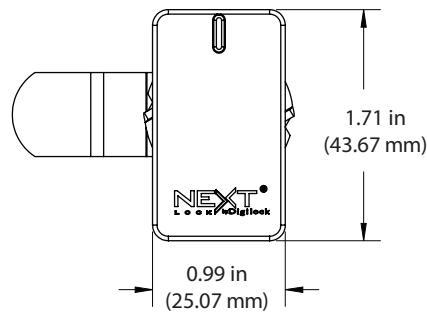


## Padlock hasp

- All metal housing
- Brushed nickel finish
- Cam locking mechanism
- Accommodates standard padlocks



Features



Drawings & Dimensions